

13 THISTLEWAITE ROAD, E5 OQG, London

Kitchen extension works for Andy de Carteret and Maribel Mantecon

Email: andyajdc@gmail.com – Telephone (Andy) – 07906387185, (Maribel) 07963111070

To be read with Glazed Unit Schedule drawing (2 pages) dated 27/11/2012

All works to comply with current Building Regulations and British Standards.

Please quote for supply and supply & fit separately.

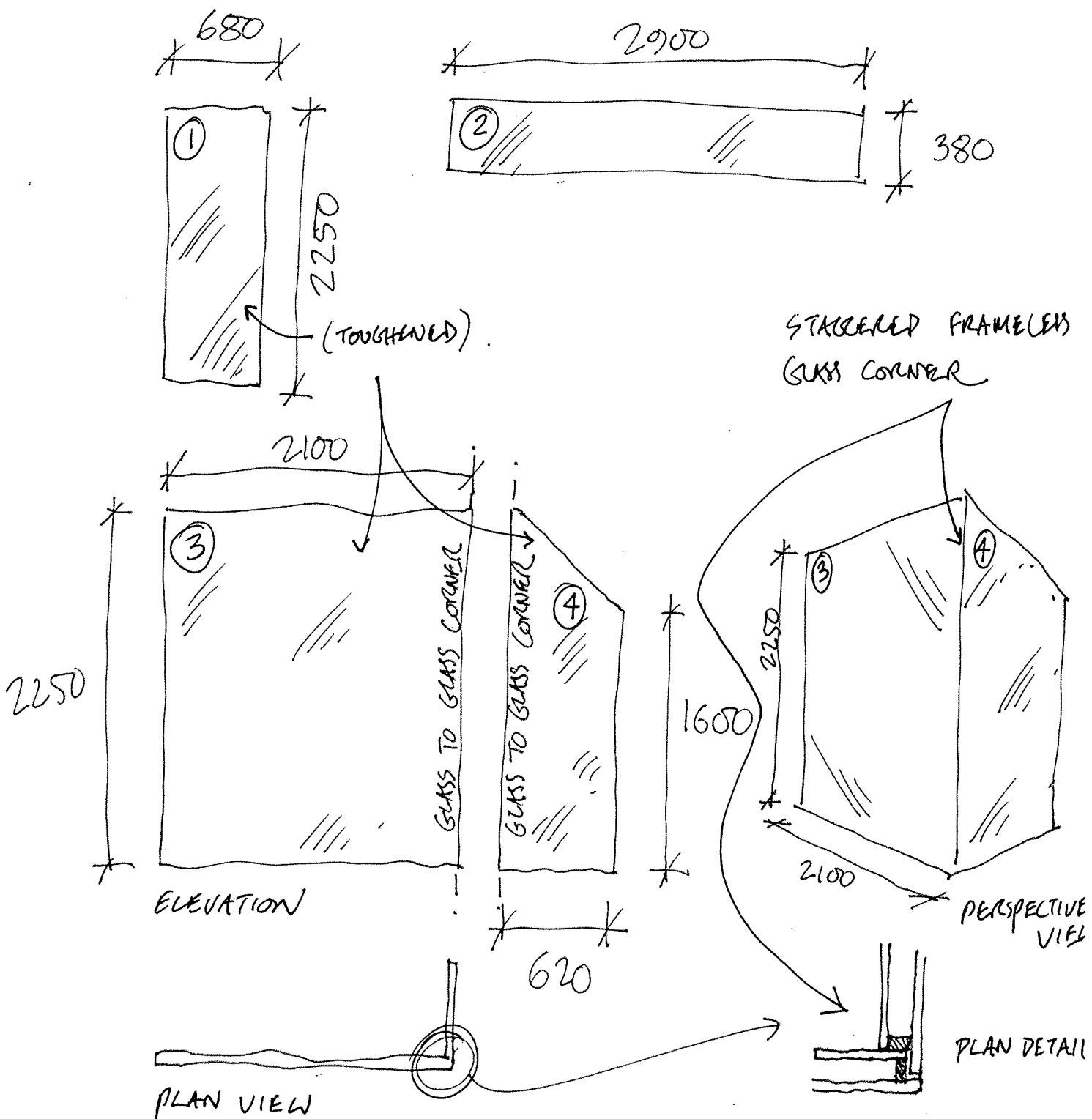
WINDOWS :

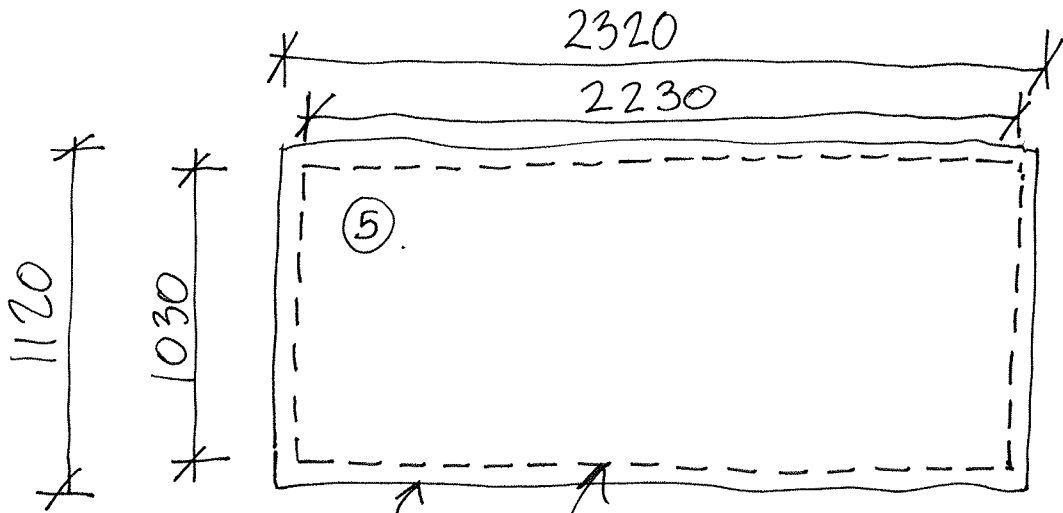
1. 1no. Double glazed, toughened, argon filled, low e unit, 680mmx2250mm. To be silicone into timber frame (made by others on site).
2. 1no. Double glazed, argon filled, low e unit, 380mmx2900mm. To be silicone into timber frame (made by others on site).
- 3&4. 2no. Double glazed, toughened(both sides), argon filled, low e units (sizes as per drawing) installed with structural tape and backing rods into 40x40mm galvanized steel angles (fitted by others) in accordance with fabricator's recommendations. Staggered frameless corner as per attached drawing.
5. 1no. Double glazed, toughened, argon filled, low e, self cleaning structural glass unit 1120mmx 2320mm to be installed as roof light as per drawing with oversailing edge detail to perimeter as shown.

THISTLEWAITE ROAD - GLAZED UNIT SCHEDULE - 27-11-2012

PAGE 1.

- FIXED DOUBLE GLAZED UNITS, LOWE ARGON FILLED
- TOUGHENED AS LISTED ON SCHEDULE.
- 1, 2, 3, 4, 5 AS DRAWN.

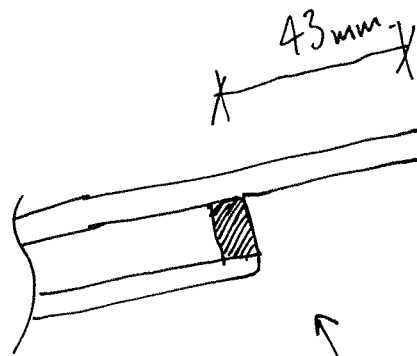




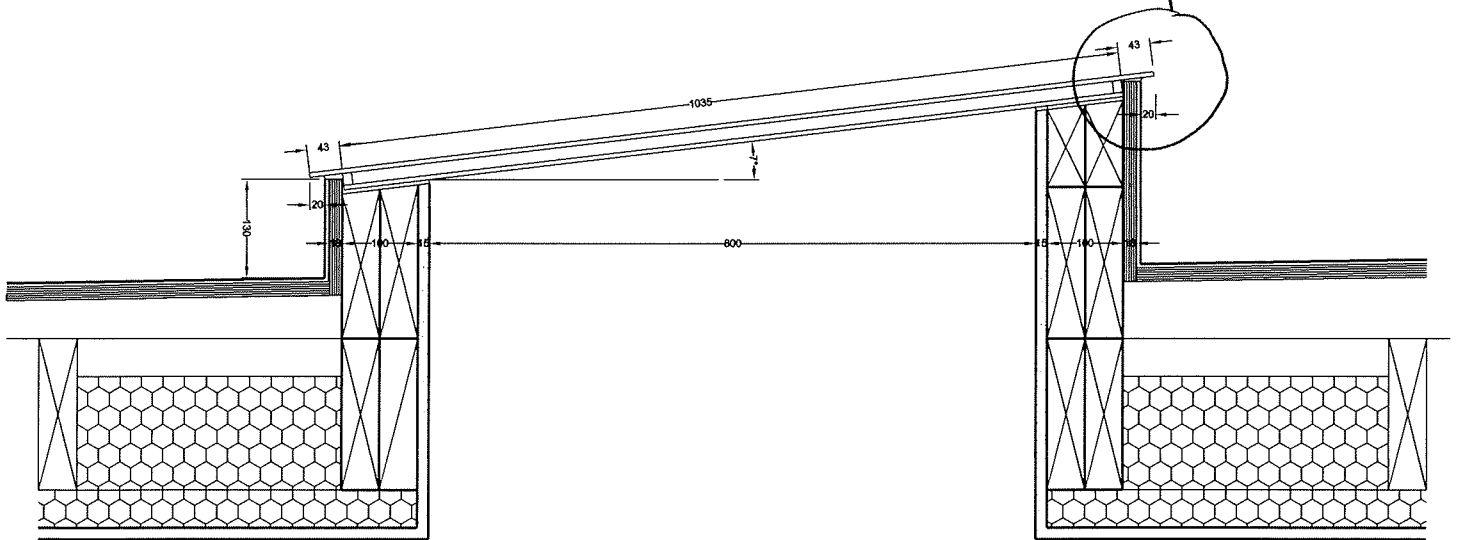
PLAN VIEW
OF DOUBLE
GLAZED UNIT.

PROJECTING TOP EDGE

LINE OF BOTTOM EDGE.



EDGE DETAIL TO
PERIMETER
ALL ROUND.



DOUBLE GLAZED UNIT FOR ROOFLIGHT.

SECTION.