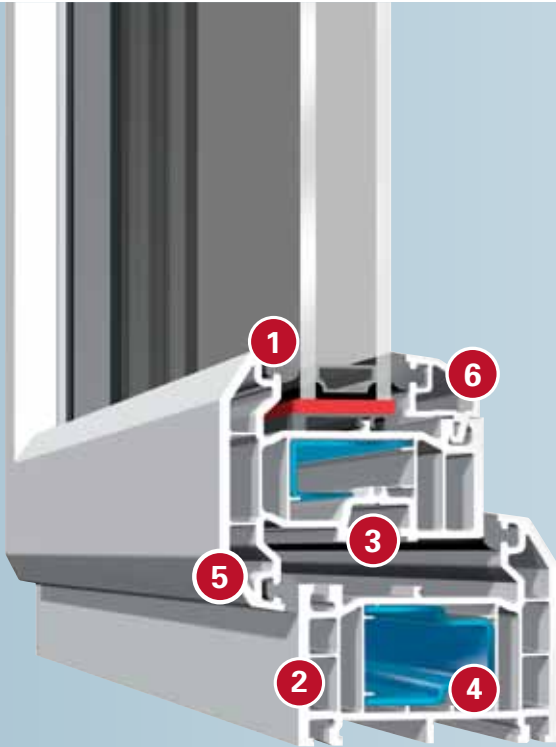


C70 Gold System Specification

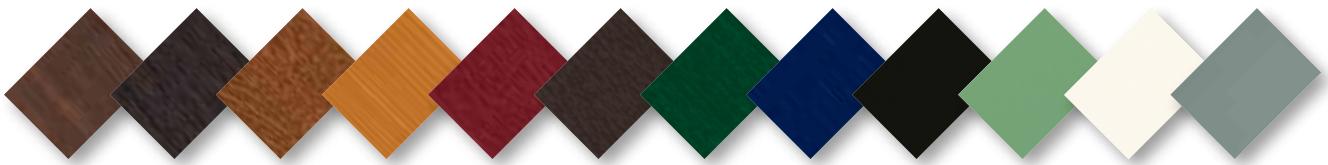


KÖMMERLING®

C70 Gold System Specification



- 1 Low line gaskets and weatherseals provide lasting performance and slimmer sightlines.
- 2 Five chambered system is more energy efficient than the 3 chambered designs from many of our competitors.
- 3 The full depth, central eurogroove helps make the windows and doors more secure.
- 4 Steel reinforcement is used where needed, to add additional structural strength.
- 5 The chamfered design of C70 Gold gives a modern and clean look through the frame, sash and glazing bead.
- 6 Single leg glazing bead is highly secure and easy to install on site.



Now available in over 40 colours.

► Innovation and Energy Efficiency

Like all of our window and door systems, C70 Gold is packed with innovative product features. The 5-chambered design is far more energy efficient than the 3 chambered designs of yesteryear, resulting in more cost effective glass options for fabricators, installers and specifiers. With Building Regulations planned to change again in 2013, our PVCu window and door systems will lead the way.

Kömmerling and parent company, profine Group, also lead the way across Europe with their lead-free Greenline compound that was developed 7 years ago. In the UK many Systems Companies still use lead as a stabiliser in their PVCu compound. At profine, we understand the importance of the environment in terms of harmful materials and energy efficiency.

Kömmerling window and door systems

- C70 Gold window and door system
- O70 Gold window and door system
- PremiLine patio door
- PremiDoor lift and slide door
- Bi-folding door system
- KBE System 88