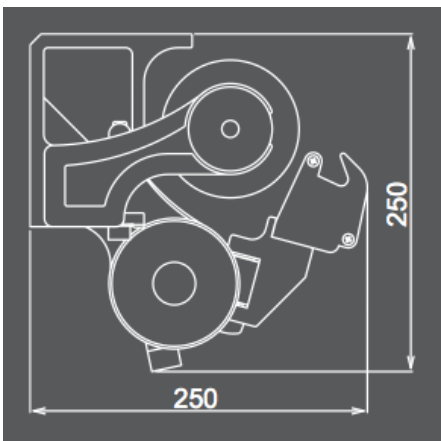
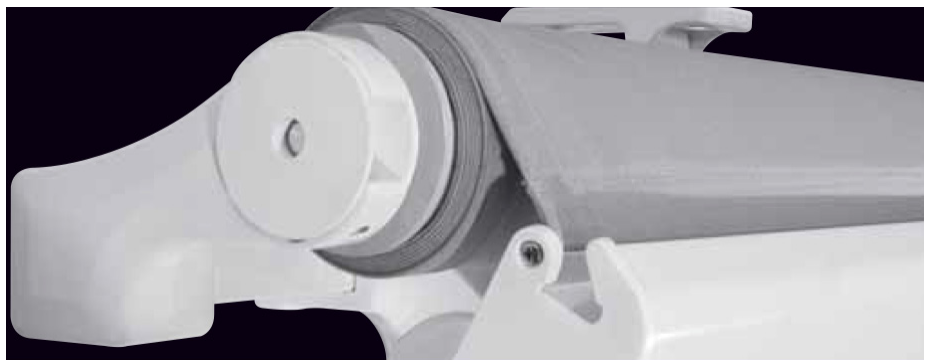


Chentto

Folding arm awning on 40x40 mm square bar with side and intermediate arm supports. Single module maximum dimensions 1000cm wide and 425cm projection.



Folding arm with flyer chain



Roller tube support

Chentto

Technical features

Width

Up to 590cm with 2 hinged arms
Up to 1000cm with 4 hinged arms

Arm lengths

150/200/250/300/350
400/425cm

Operating System

Manual or motorised.

Extras

Sun and wind sensor,
Roll Down valance.

Fabrics

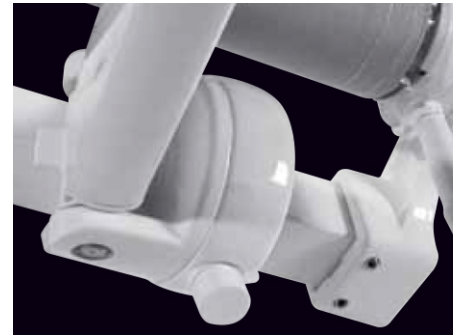
Vast selection of PARA, Dickson
and Recasens Colours.

Framework colours

-White colour RAL 9016
-Special powder-coating available
in other RAL colours (price
increase)



Front profile bracket
Joins the arms securely to the front
profile and permits adjustment of
the angle



Arm support fitted to the square bar



Hinged arm joint
The flyer chain is designed for an
extremely long service life.



Arm Support



Universal wall bracket